

LA80

PART NO

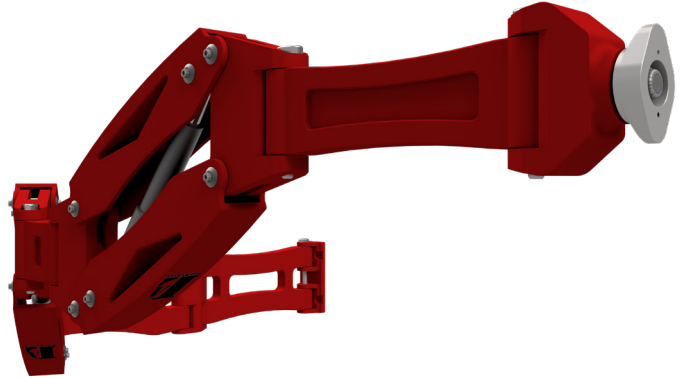
AGA-ARM-80-100

COMPLIES WITH

AS1170.0, AS1170.1, AS4100, AS4673, AS4991

The LA80 is designed to lift heavy components into place and hold them while being installed or removed. The LA80 is powered by two linear actuators resulting in smooth controllable movement and no bounce. With the LA80 multiple points of articulation and modifiable setup, the LA80 allows for stable and precise alignment of components.

By removing the requirement for maintenance personal to have to lift and hold these heavy component sin awkward positions, the LA80 enhances operator overall wellbeing through reduced manual handling.



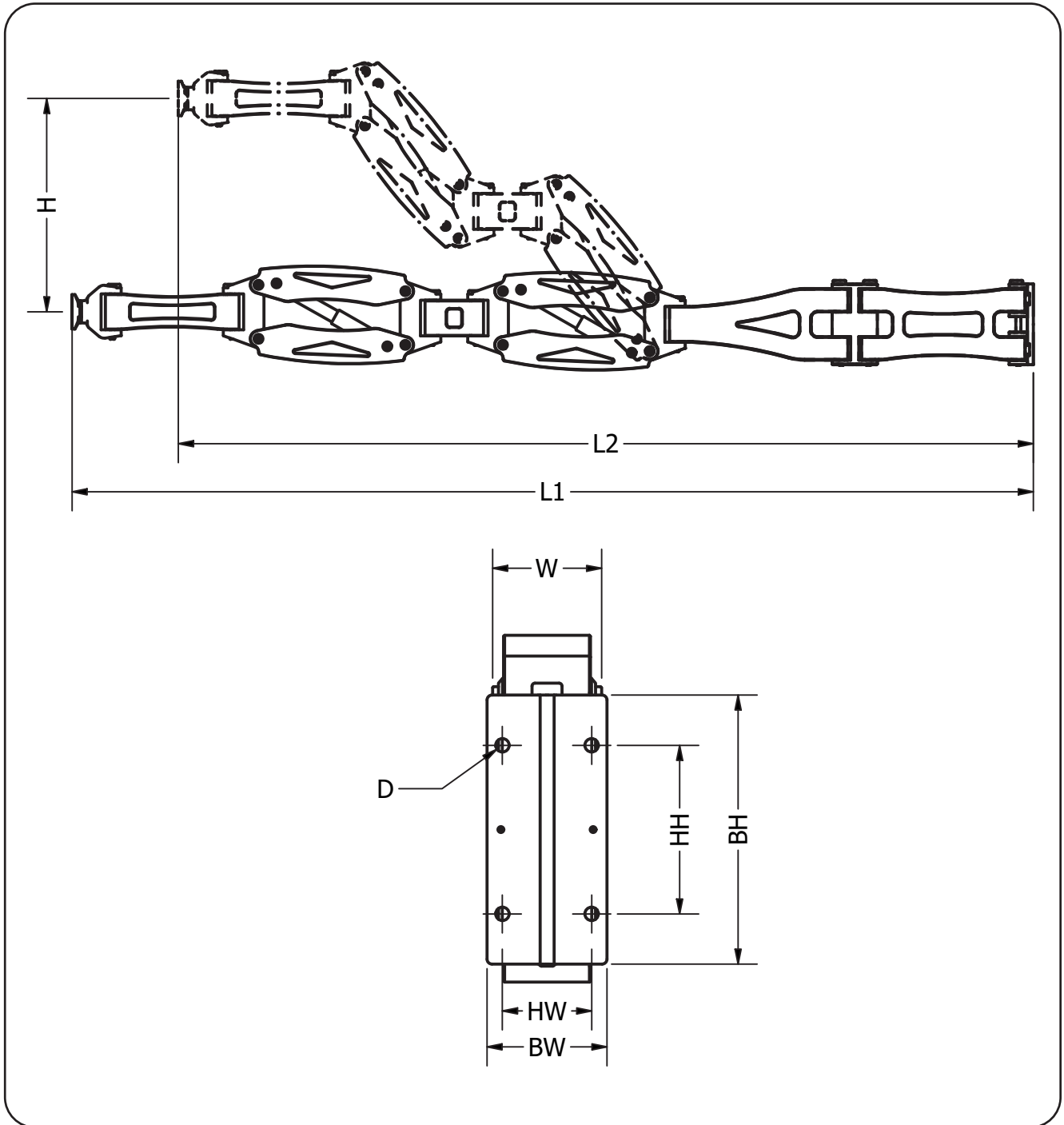
SPECIFICATIONS

Tare weight (kg/lbs)	20 / 45
Safe Working Load (kg/lbs)	80 / 176
Material	Aluminum frame with stainless steel pins
Assembly	Each section is joined together via a screw in pin allowing for quick assembly and disassembly
Degrees of movement	Six points of articulation and a swivel head, provides complete freedom of movement.
Actuators	Two 24V 8,000N independant linear actuators allow for highly controllable lift.
Mounting	Using the mounting bolt hole pattern (see dimensions) the LA80 can be mounted to any rated surface.
Tool Mounting	The LA80 can be fitted with a variety of tool holders or cradles to allow operators to securely hold components in place while being maneuvered into place.



DIMENSIONS (MM/INCH)

Length (L1)	3,203 / 126.1	Base Width (BW)	120 / 4.7
Length (L2)	2,848 / 112.1	Base Height (BH)	270 / 10.6
Height Range (H)	710 / 28	Mounting Hole (HW)	89.2 / 3.5
Width (W)	110 / 4.3	Mounting Hole (HH)	169.2 / 6.7
		Hole Diameter (D)	13.5 / 0.53



nivekindustries.com.au

sales@nivekindustries.com.au

+61 (0) 418 517 359



NIVEK
INDUSTRIES
PTY LTD