

Corner Cutting Edge Tool (CCET)

PART NO

TED-ATT-024-00

The CCET is fully adjustable making it perfect for corner CET. Operators can adjust the support pins in any combination of holes to achieve an angle of up to +/- 10 degrees. The CCET also has two retaining bolts which can be used to support different CET thicknesses.

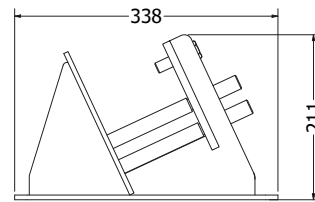
The CCET works best when combined with the Low Profile Pivot Table allowing it to be aligned with the angle of the CET being removed/installed.

COMPLIES WITH

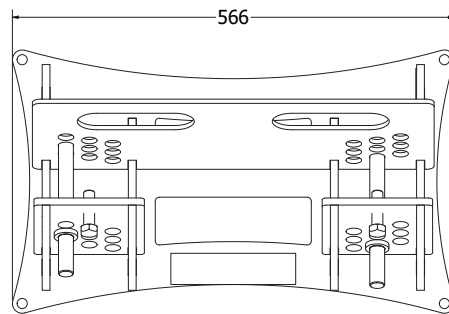
AS1170.0, AS1170.1, AS4100, AS4991

SPECIFICATIONS

Attachment Type	TED
Safe Working Load	800kg
Mounting	Turntable
Tare Weight	21kg






SIDE VIEW



TOP VIEW



 nivekindustries.com.au
 sales@nivekindustries.com.au
 +61 (0)400 675 531



NIVEK
INDUSTRIES
PTY LTD