

# Grader Cutting Edge

## PART NO

TED-ATT-021-00

The Grader Cutting Edge Tool can be utilised to take the weight of the CET from a variety of graders. The attachment is fitted with two (2) adjustment bolts which can be tightened to assist in stabilising the CET during transit and installation.

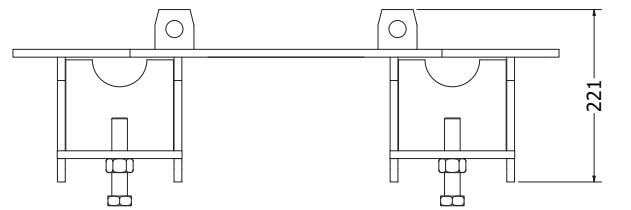
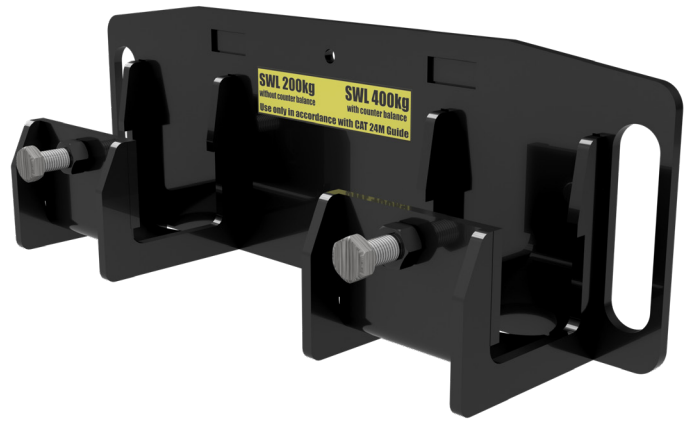
When used by itself the Grader Cutting Edge has a SWL of 200kg, however if used with the TED Counter Balance the SWL can be increased to 400kg.

## COMPLIES WITH

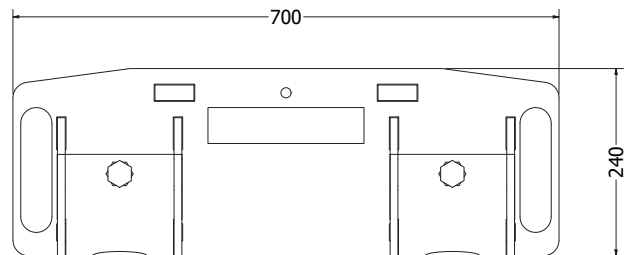
AS1170.0, AS1170.1, AS4100, AS4991, AS2359.1, AS2359.2, AS/ISO22915.1

## SPECIFICATIONS

Attachment Type	TED
Safe Working Load	400kg
Mounting	Front
Tare Weight	21kg



TOP VIEW



FRONT VIEW



[nivekindustries.com.au](http://nivekindustries.com.au)



[sales@nivekindustries.com.au](mailto:sales@nivekindustries.com.au)



+61 (0)400 675 531



**NIVEK**  
**INDUSTRIES**  
PTY LTD