

# Tyre Handler

## PART NO

TED-ATT-016-00

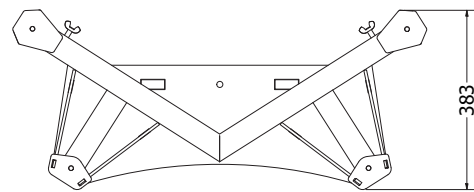
The Tyre Handler attachment is designed to support tyres during removal and installation on a range of vehicles. The top arm lengths can be adjusted to hold the tyre securely in place. Each arm is fitted with a roller, enabling the tyre to be rotated for ease of lining up bolt holes.

## COMPLIES WITH

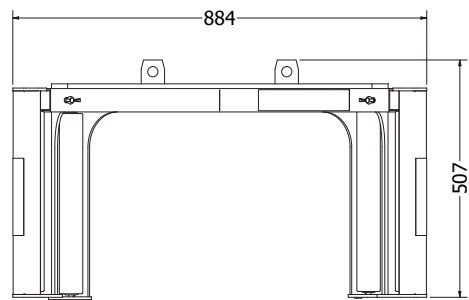
AS1170.0, AS1170.1, AS4100, AS4991, AS2359.1, AS2359.2

## SPECIFICATIONS

Attachment Type	TED
Safe Working Load	200/400kg
Mounting	Front
Tare Weight	40kg



FRONT VIEW



TOP VIEW



nivekindustries.com.au

sales@nivekindustries.com.au

+61 (0)400 675 531



**NIVEK**  
**INDUSTRIES**  
PTY LTD