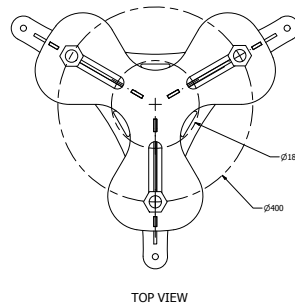
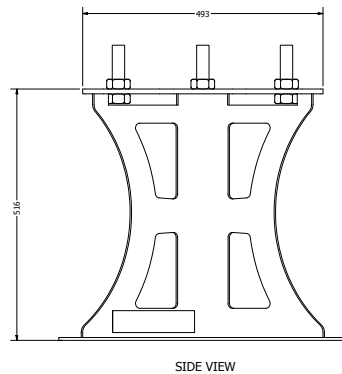


Strut Spindle Cap Tool

Mounting to the top of TED's turntable, fine angle adjustment is provided by the three threaded support points, allowing for safe removal and replacement of the Strut Spindle Cap on Haul Trucks. The Strut Spindle Cap Tool is tall enough to allow impact gun/hi-torque tool access to the bolts on the Strut Spindle Cap. The Strut Spindle Cap Tool is design to take the weight of the Strut Spindle Cap and removal tool only. The strut itself must be supported as per manufacturers specifications.

Specifications

Tare Weight	47kg
Safe Working Load	800kg
Attachment Type	Turntable
Part Number	TED-ATT-025-00



Complies with AS1170.0, AS1170.1, AS1170.4, AS4100, AS2538



NIVEK
INDUSTRIES

+61 418 517 359, sales@nivekindustries.com.au
15 Mathry Close, McDougalls Hill, NSW, 2330, Australia

Finish every shift safely...