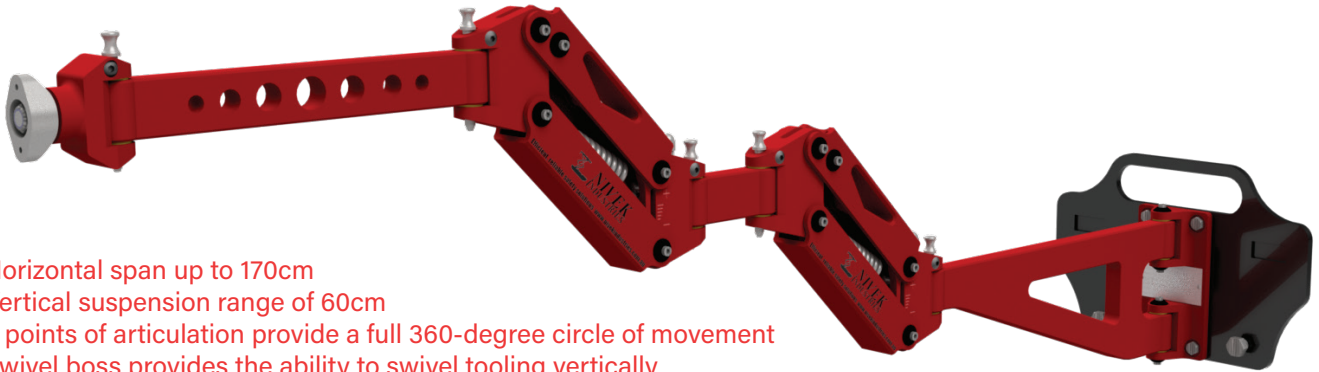


# Lift Assist 40

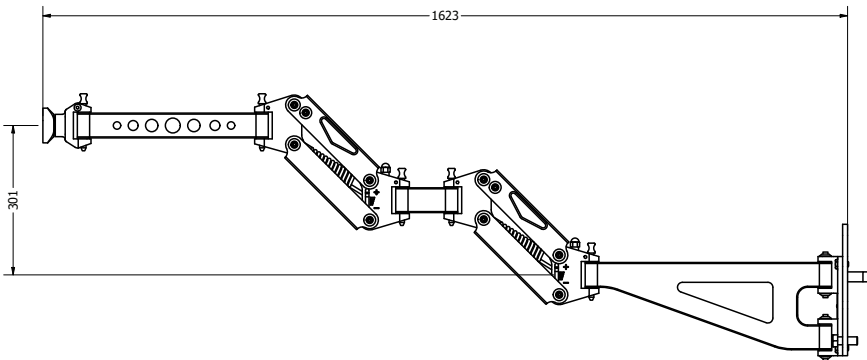
## Specifications

Tare Weight	26kg
Safe Working Load	40kg
Part Number	AGA-ARM-100-00

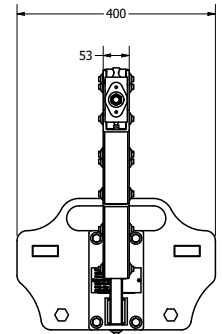
Designed to take the weight of rattle guns, impact drivers and torque tooling, the Lift Assist arm can be mounted to the front of TED, or used on the LA Stand for additional reach. You can also attach your Lift Assist arm to any fit for purpose, certified attachment point in your workplace.



- Horizontal span up to 170cm
- Vertical suspension range of 60cm
- 6 points of articulation provide a full 360-degree circle of movement
- Swivel boss provides the ability to swivel tooling vertically
- Quick assembly due to quick release modules
- Articulation joints have been designed to push fingers out rather than pinch



SIDE VIEW



FRONT VIEW

Complies with AS1170.0:2002, AS1170.1:2002, AS1164.1:1997, AS4100:1998, AS4991:2004, AS2359.1:2015, AS2359.2:2013



**There are undeniable links to fatigue and workplace accidents**

Don't let your fitters add to the hand, shoulder and repetitive strain injury statistics.

Get our Lift Assist range working hard to support your safety goals and help keep your fitters safe.



**NIVEK  
INDUSTRIES**

+61(2)6571 3703 , +61 418 517 359, [sales@nivekindustries.com.au](mailto:sales@nivekindustries.com.au)  
15 Mathry Close, McDougalls Hill, NSW, 2330, Australia

**Finish every shift safely...**