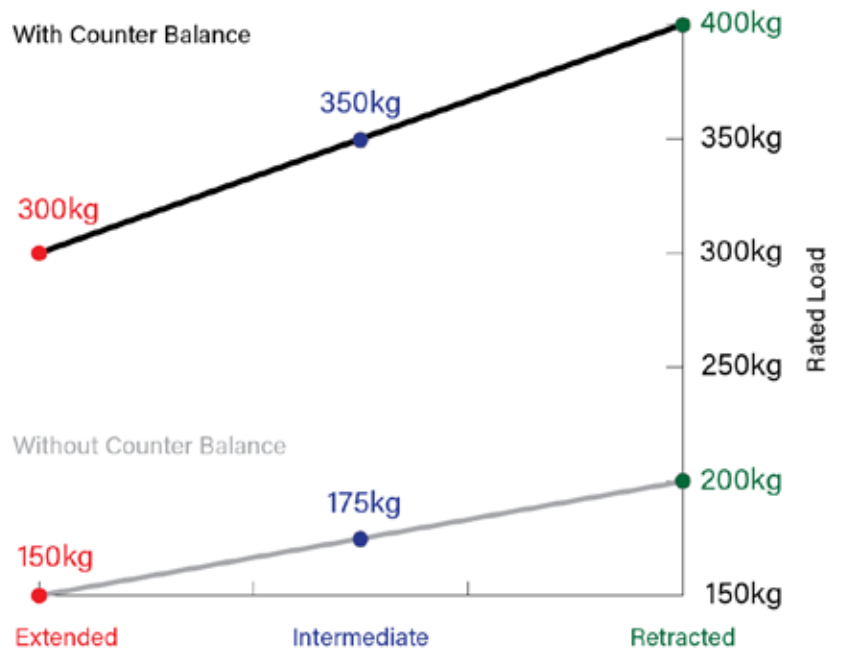
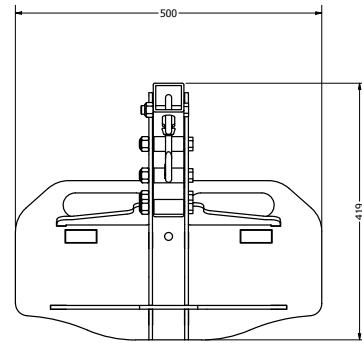
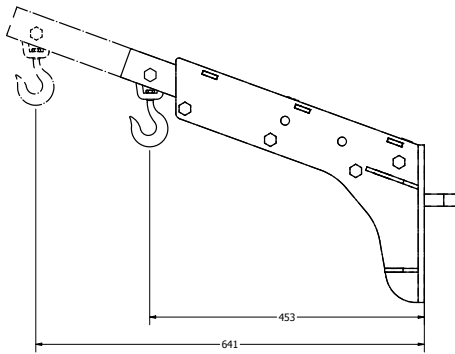


Front Jib Attachment

Manoeuvre awkward objects from above with the all purpose Front Jib Attachment. Three different extension lengths add to the versatility of the Front Jib Attachment.

Specifications

Tare Weight	20kg
Safe Working Load	150-400kg (see table below)
Attachment Type	Front
Part Number	TED-ATT-031-00



Complies with AS1170.0:2002,
AS1170.1:2002, AS1418.1:2002,
AS1418.8:2008, AS4100:1998,
AS4991:2004, AS2359.1:2015,
AS2359.2:2013



+61 418 517 359, sales@nivekindustries.com.au
15 Mathry Close, McDougalls Hill, NSW, 2330, Australia

Finish every shift safely...