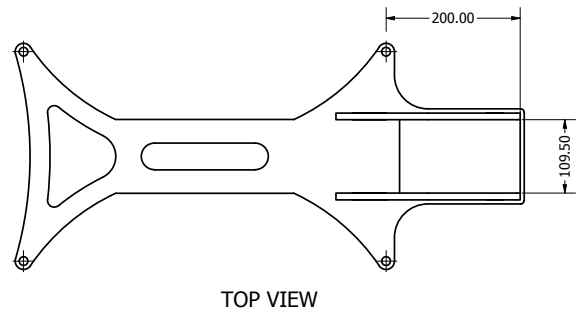
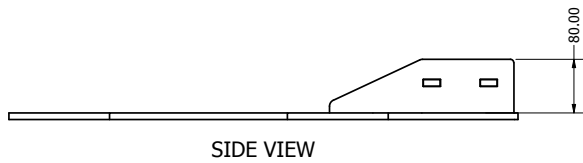


Front Belly Plate Cradle

The Front Belly Plate Cradle has been specifically designed for safe removal of the sloping front belly plate on D11 Dozers, by supporting them at the correct angle and avoiding the need for dunnage.

Specifications

Tare Weight	13kg
Safe Working Load	800kg
Attachment Type	Turntable
Part Number	TED-ATT-023-00



Complies with AS1170.0, AS1170.1, AS4100, AS4991, AS2359.1, AS2359.2



NIVEK
INDUSTRIES

+61 418 517 359, sales@nivekindustries.com.au
15 Mathry Close, McDougalls Hill, NSW, 2330, Australia

Finish every shift safely...