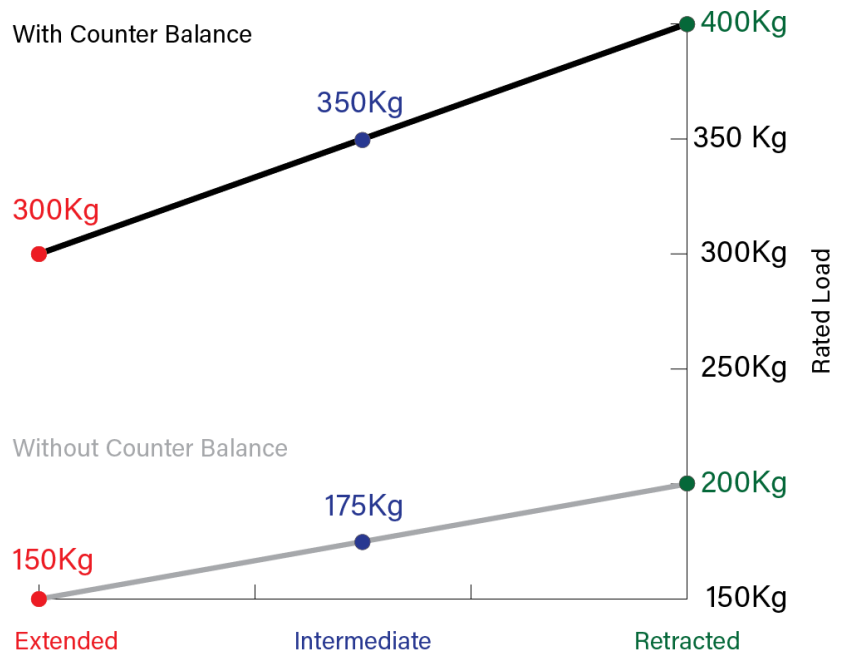
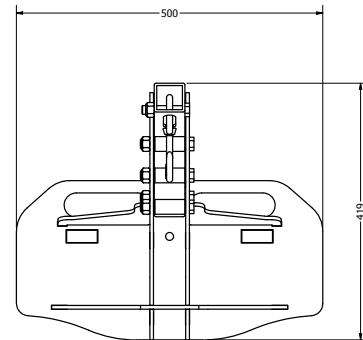
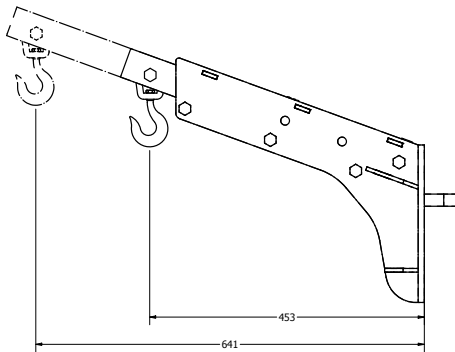


Front Jib Attachment

Manoeuvre awkward objects from above with the all purpose Front Jib Attachment. Three different extension lengths add to the versatility of the Front Jib Attachment.

Specifications	
Tare Weight	20 Kgs
Safe Working Load	150 - 400 Kg (See table below)
Attachment Type	Front
Part Number	TED-ATT-031-00



Complies with AS1170.0:2002,
AS1170.1:2002, AS1418.1:2002,
AS1418.8:2008, AS4100:1998,
AS4991:2004, AS2359.1:2015,
AS2359.2:2013



+61(2)6571 3703 , +61 418 517 359, sales@nivekindustries.com.au
15 Mathry Close, McDougalls Hill, NSW, 2330, Australia

Finish every shift safely...