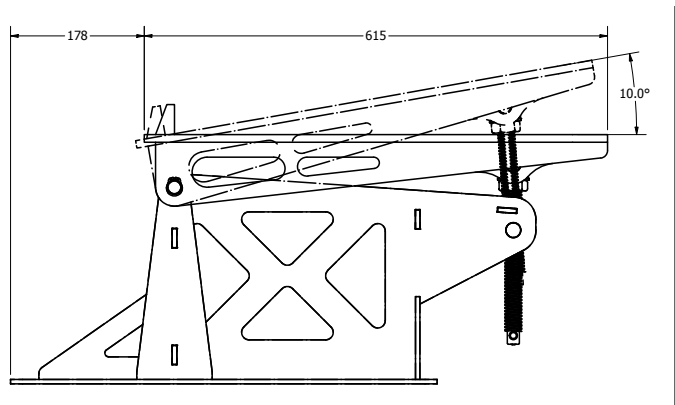
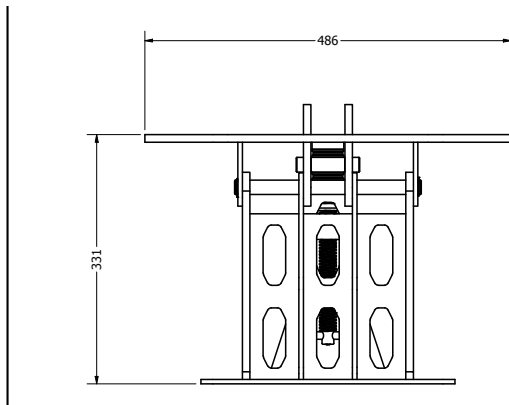


# Steer Idler Attachment

Specifically designed to remove and replace Steer Idlers on Ultra Class Trucks, the Steer Idler has a pivot adjustment to support the Steer Idler at precisely the right angle for removal and replacement.

## Specifications

|                   |                |
|-------------------|----------------|
| Tare Weight       | 47kg           |
| Safe Working Load | 400kg          |
| Attachment Type   | Turntable      |
| Part Number       | TED-ATT-026-00 |



Complies with AS1170.0:2002, AS1170.1:2002, AS1418.1:2002, AS1418.8:2008, AS4100:1998, AS4991:2004, AS/ISO 22915.1:2015



+61 418 517 359, [sales@nivekindustries.com.au](mailto:sales@nivekindustries.com.au)  
15 Mathry Close, McDougalls Hill, NSW, 2330, Australia

**Finish every shift safely...**