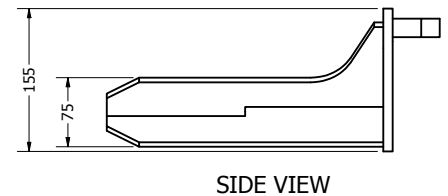
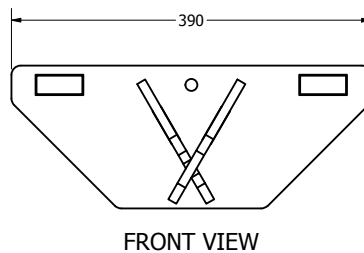
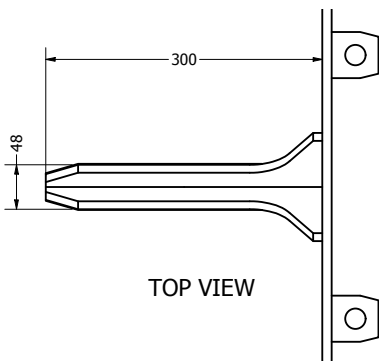


Stand Locating Tool (Rhino)

Manoeuvre heavy axle stands under machinery with remote control ease. The Stand Locating Tool helps to protect against needless back and shoulder strains.

Specifications

Tare Weight	8kg
Safe Working Load	200kg
Attachment Type	Front
Part Number	TED-ATT-003-01



Complies with AS4100, AS3990, AS1554



NIVEK
INDUSTRIES

+61 418 517 359, sales@nivekindustries.com.au
15 Mathry Close, McDougalls Hill, NSW, 2330, Australia

Finish every shift safely...