

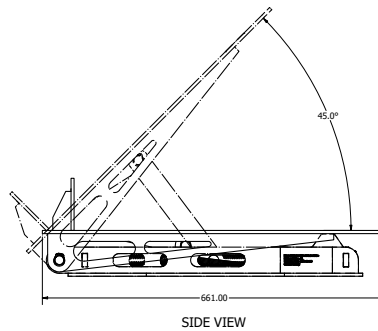
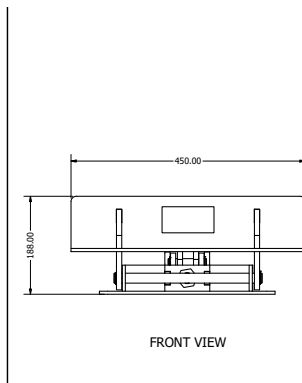
# Slope Jig

Attaching to TED's turntable the Slope Jig can support components up to 400kg on angles up to 45 degrees. The Slope Jig drastically improves the process of changing Y-links and letourneau ball caps.

The Slope Jig can be mounted on up to 2 Extension Blocks for an additional 600mm reach.

## Specifications

Tare Weight	36kg
Safe Working Load	400kg
Attachment Type	Turntable
Part Number	TED-ATT-009-00



Complies with AS1170.0, AS1170.1, AS1418.1, AS1418.8, S4100, AS4991, AS/ISO 22915.1



**NIVEK**  
INDUSTRIES

+61 418 517 359, [sales@nivekindustries.com.au](mailto:sales@nivekindustries.com.au)

15 Mathry Close, McDougalls Hill, NSW, 2330, Australia

**Finish every shift safely...**